



Flue gas temperature sensor

FGT-PT1000

Use

For measuring flue gas temperatures in heating plant.

Mechanical design

- Measuring head with Pt1000 sensing element (platinum)
- Connecting cable featuring antikink
- Screwed flange (length of sensor collar 80 mm)

Technical data

Measuring range	-20...+400 °C
Sensing element	Pt1000 (PTC)
Measuring accuracy	to DIN / IEC 751, class B
Materials	
Measuring head	stainless steel V4A (1.4571)
Cable insulation	Teflon with wire mesh
Screwed flange	steel, galvanized and passivated
Connecting cable	1.5 m (with antikink)
Ambient temperatures	
Operation (measuring head)	-20...+400 °C
Cable	-20...+260 °C
Storage	-20...+70 °C
Weight (incl. package)	0,2 kg
Conforming to	CE directives

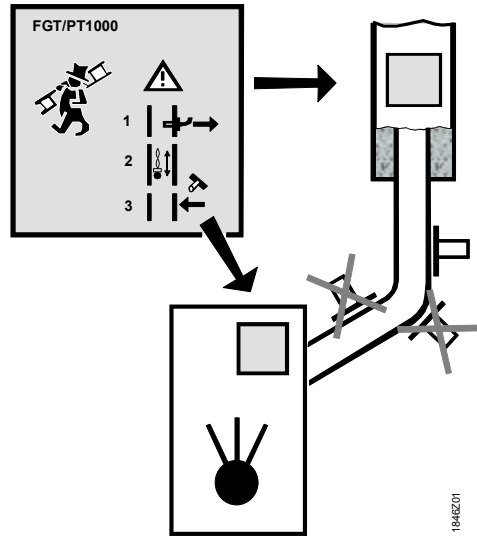
Mounting notes

Warning

**Prior to cleaning the flue gas pipe, the sensing collar must be removed!
Replace collar after cleaning.**

The sensor is supplied complete with Mounting Instructions (no. 36605).

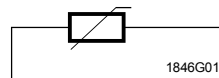
Using the screwed flange supplied with the sensor, the measuring head can be mounted straightforwardly and quickly on the gas pipe.



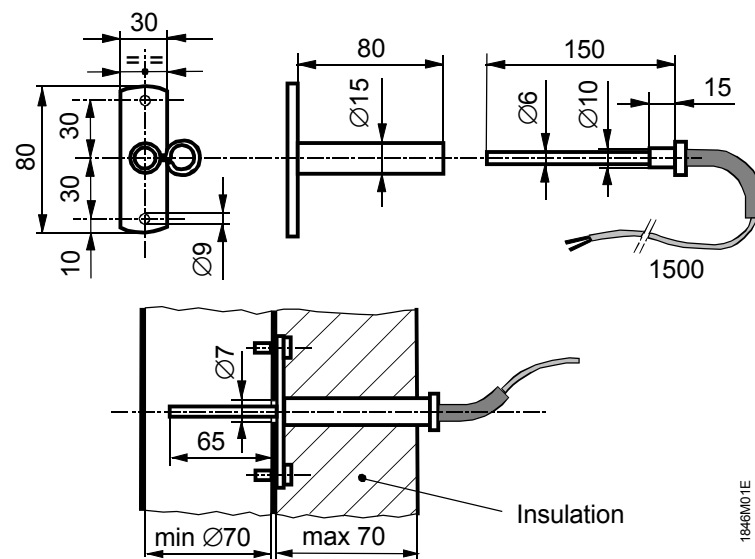
Note

The label supplied with the sensor should be placed in a visible location for the service engineer or chimney sweep!

Terminal layout



Dimensions



Dimensions in mm